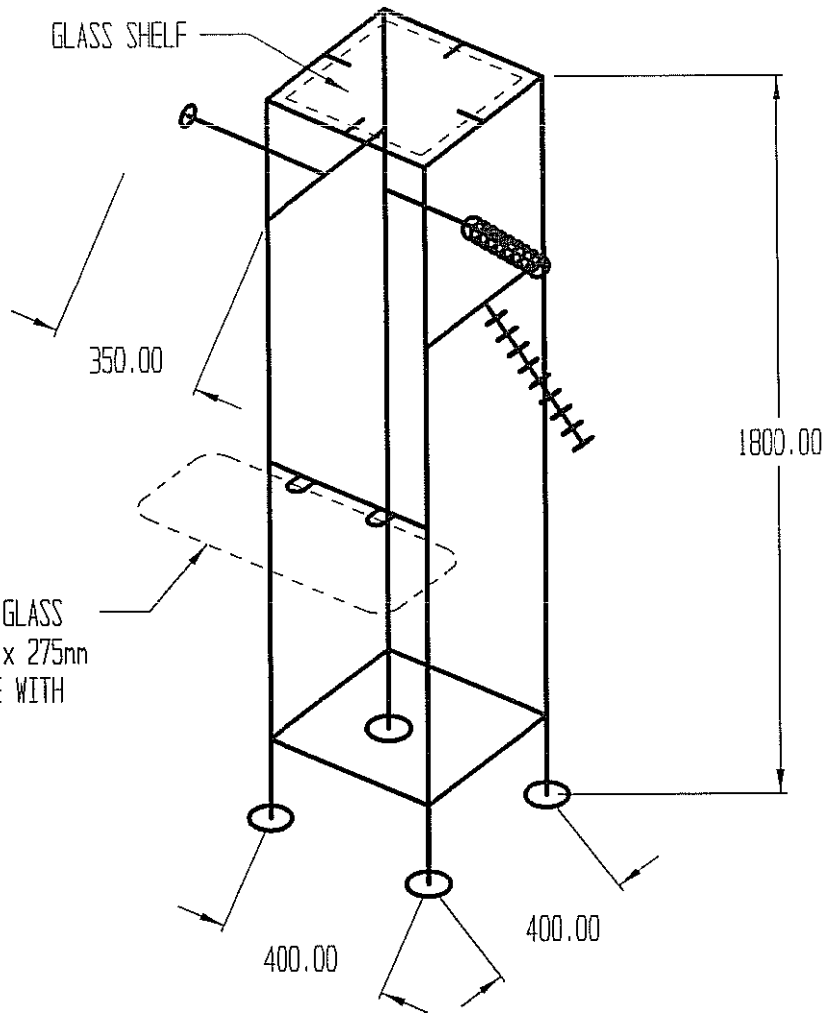
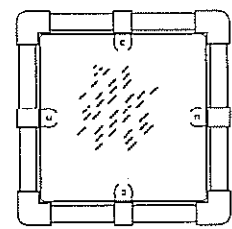


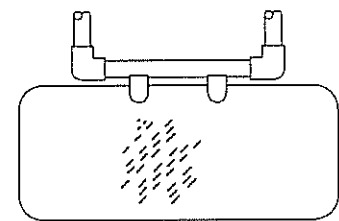
DISPLAY OPTIONS



8mm THK CLEAR GLASS  
SHELF 650mm O/A x 275mm  
FIXED ON TO TUBE WITH  
CLAMP



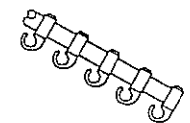
GLASS PANEL



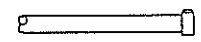
CANTILEVER GLASS PANEL



FORWARD HANGING WITH 75's



FORWARD HANGING WITH 76's



FORWARD HANGING HORIZONTALLY

THIS DRAWING AND THE INFORMATION IT CONTAINS IS CONFIDENTIAL. IT MUST NOT BE REPRODUCED, OR COPIED OR USED FOR ANY PURPOSE WITHOUT THE WRITTEN PERMISSION OF:-

**Kee Klamp**  
Kee Klamp Ltd.  
10 Worton Drive  
Worton Grange  
Reading, Berkshire RG2 0TQ  
Telephone: 0118 9311022  
Fax: 0118 9311146

NOTES:-		REVISIONS:-	
1	ALL DIMENSIONS IN MILLIMETRES		
2	TUBE SIZE:- 6 (Ø 33.7 O.D.)		
3	FINISH:- GALVANISED		

REVISIONS:-	

DISPLAY TOWER

DRAWING No. RETAIL S